

Section 7 OUT-SWING DOOR THRESHOLDS

Standard Sizes (Product is cut oversize to allow "cutting in"): 30", 32", 36", 42", 48" (cut 3/8" over); 60", 64", 72" (cut 1" over). Other lengths are available. (Extra cost over 73")
Routed thresholds (page 18)

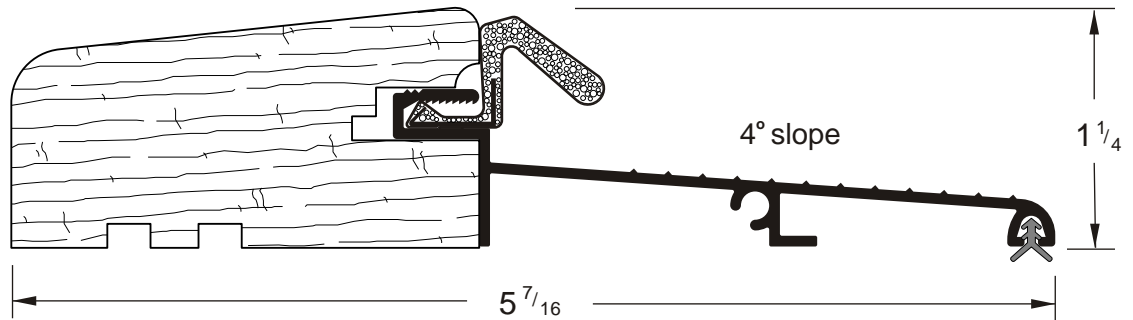
and specified lengths are cut exact. Center holes are counter-sunk. #10 phillips flathead screws of appropriate length are included. ▽ Indicates location of standard fastener hole.

Special anchors may be required on concrete slab construction and are available at extra cost, (see page 54).
Standard bumper seal is Santoprene® (#9032T). Optional seals (see page 55).

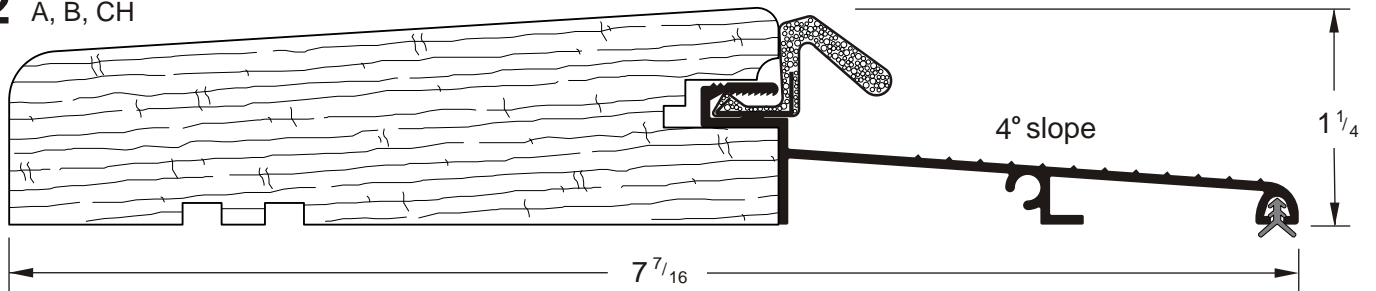
HARDWOOD & ALUMINUM OUTSWING

PLEASE NOTE:
 "Outswing" Astra-Bolt on page 52

410 A, B, CH



412 A, B, CH

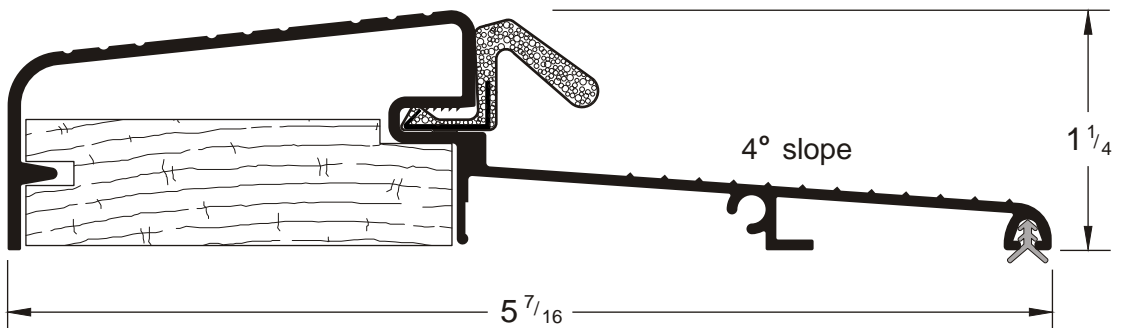


THIS DRAWING NOT TO SCALE

ALL ALUMINUM OUTSWING

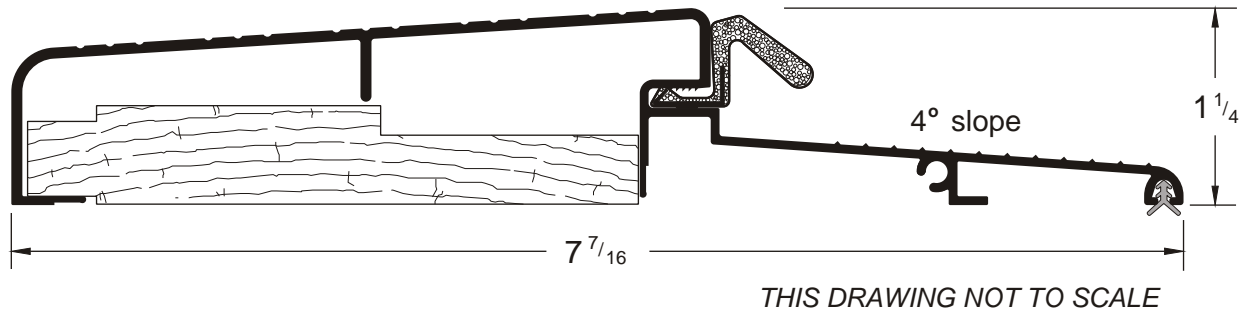
415 A, B, CH

Wood substrate only.

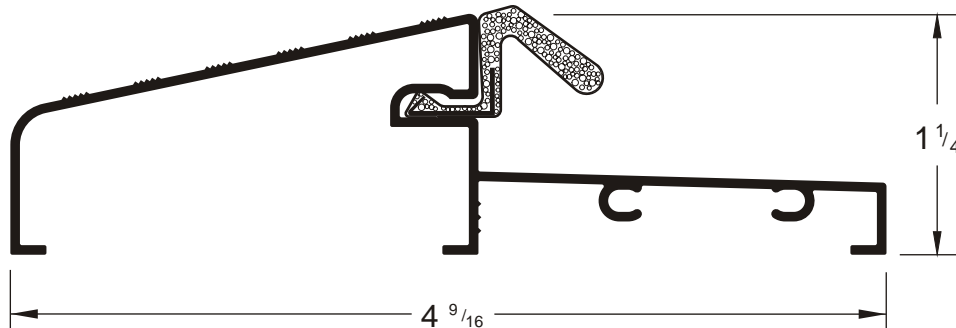


417 A, B, CH

Wood or Composite substrate.

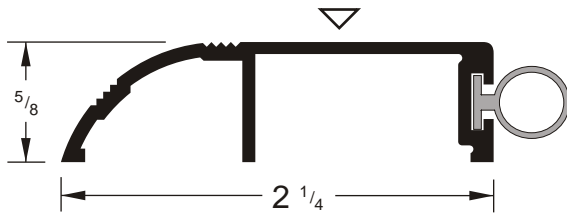


419 B

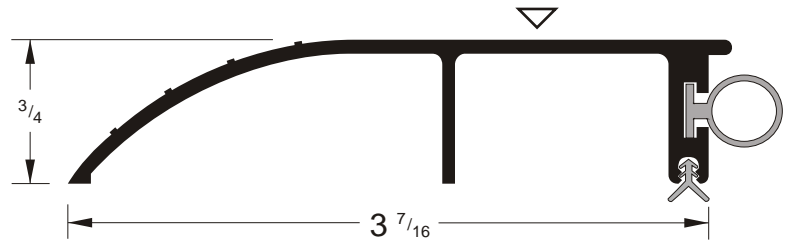


OUTSWING BUMPER THRESHOLDS

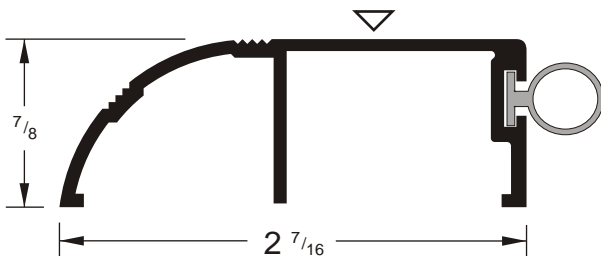
423 A, B Low bumper threshold.
10 x 1-1/2" phillips flathead screws are included.



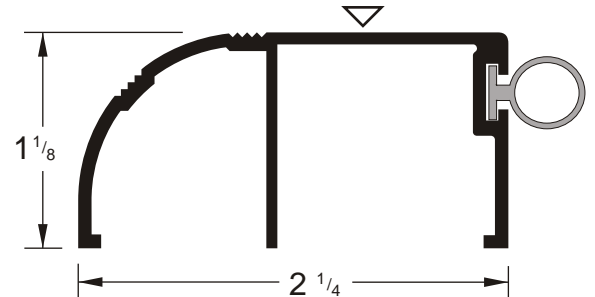
424 A, B, Wide bumper threshold with vinyl moisture barrier.
10 x 1-3/4" phillips flathead screws are included.



427 A, B High bumper threshold.
10 x 1-3/4" phillips flathead screws are included.

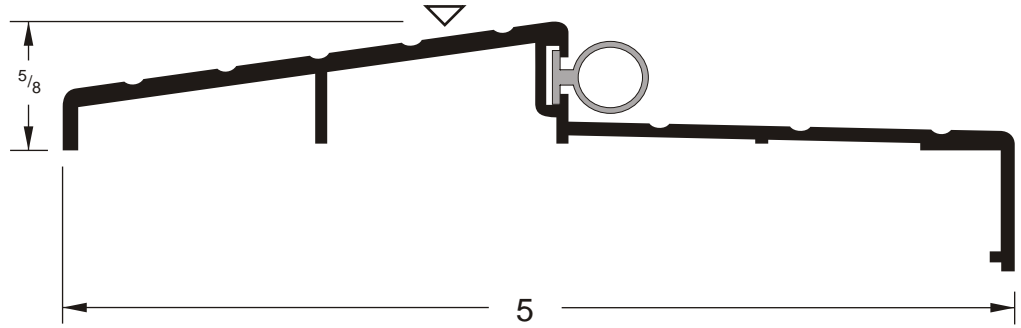


428 A, B, Extra high bumper threshold.
10 x 2" phillips flathead screws are included.



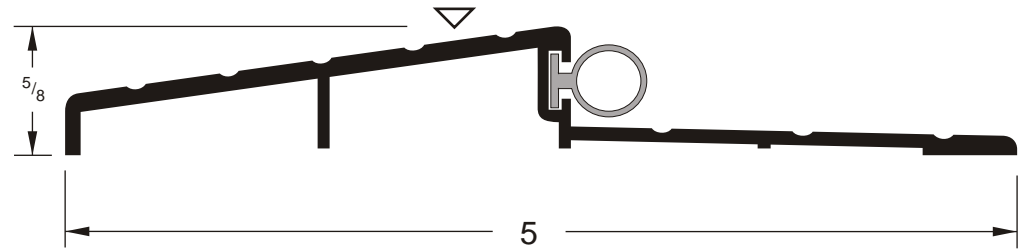
450 A, B
Bumper threshold.

10 x 1-1/2" phillips flathead screws are included.



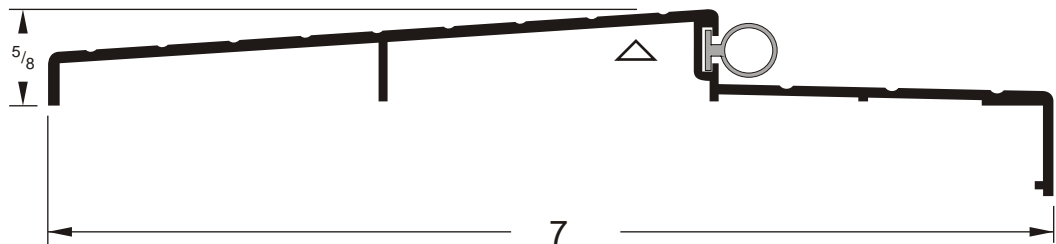
451 A, B
Bumper threshold for continuous level floor.

10 x 1-1/2" phillips flathead screws are included.



457 A, B
Bumper threshold.

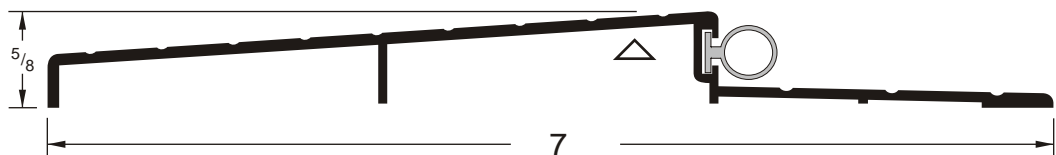
10 x 1-1/2" phillips flathead screws are included.



THIS DRAWING NOT TO SCALE

458 A, B
Bumper threshold for continuous level floor.

10 x 1-1/2" phillips flathead screws are included.



THIS DRAWING NOT TO SCALE

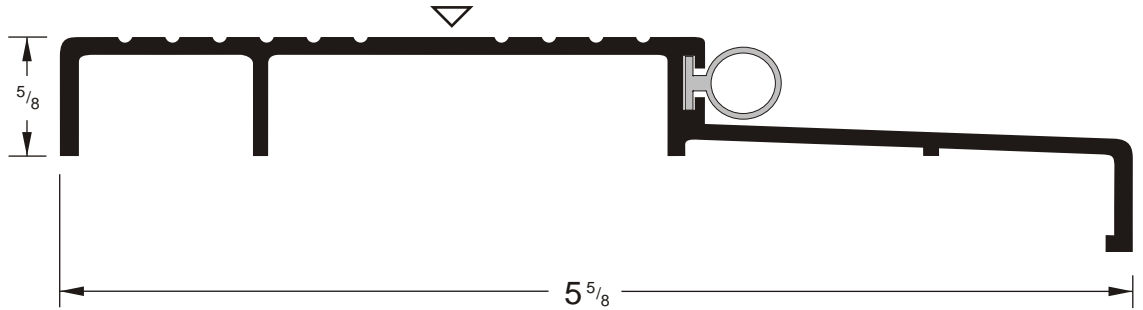
▽ Indicates location of standard fastener hole.

**PRODUCTS ARE SHOWN ACTUAL SIZE
(EXCEPT AS NOTED)**

**COMBO ALUMINUM PRODUCTS, EL CAJON, CA
Tel (619) 447-9200 (800) 457-7500 Fax (619) 442-4558**

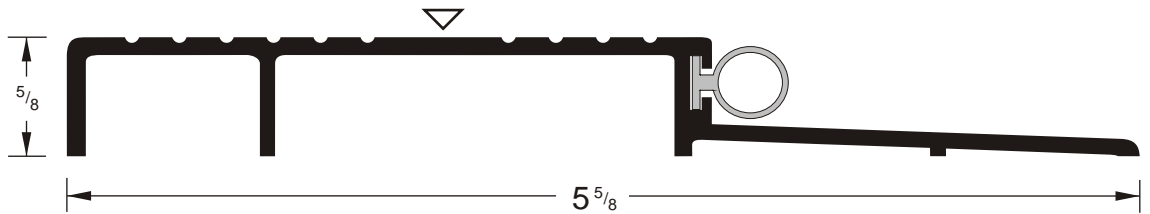
470 A, B
Bumper threshold.

10 x 1-1/2" phillips flathead screws are included.



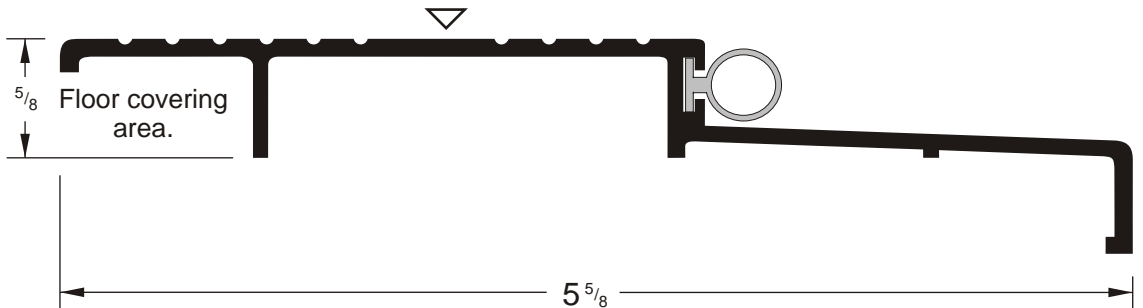
471 A, B
Bumper threshold for continuous level floor

10 x 1-1/2" phillips flathead screws are included.



472 A, B
Bumper threshold will allow for floor covering.

10 x 1-1/2" phillips flathead screws are included.



ELEVATORS

3111 A, B,
1/2" Elevator for increasing height of saddle thresholds.



▽ Indicates location of standard fastener hole.