

Section 1 DOOR BOTTOMS & SEALS

Door Bottoms are extruded aluminum with either double vinyl seal or wide finger vinyl seal.

Standard Size are 30", 32", 36", 42" & 48" and are cut 1/4" under unless noted.

Other lengths may be ordered, and are cut exact.

Door Bottoms have **slotted holes** for close adjustment. SMS 6 x 5/8" phillips panhead stainless steel screws are included.

◁ Indicates location of standard fastener hole.

THERMAL BREAK door bottoms are shown on pages 4 & 5.

Color of sealing material is black. Made from virgin, flexible extruded vinyl.

Replacement sealing materials are available and sold by the foot (Page 55).

Custom fabrications - **Stop cuts & 3 degree bevel** - are available to assist installation. See page 7 for detail.

Typical clearance between door and threshold is 3/8". **Check before installation.**

Some Door Bottoms have a **drip cap** to direct rain water run-off. Weep holes are avail.

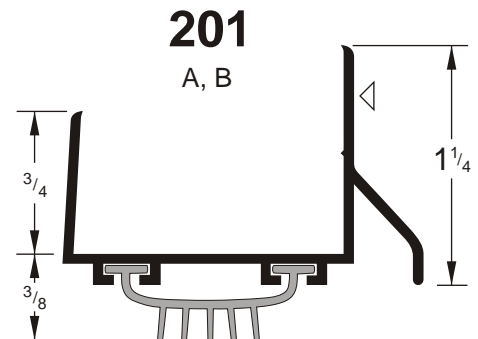
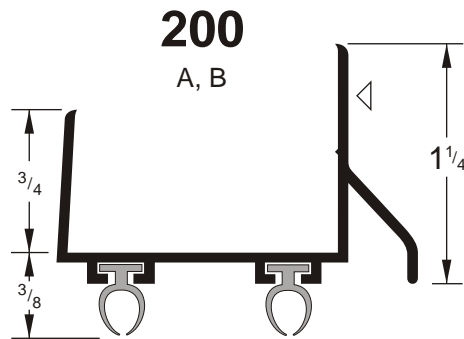
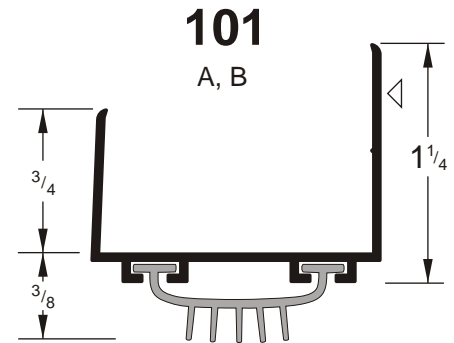
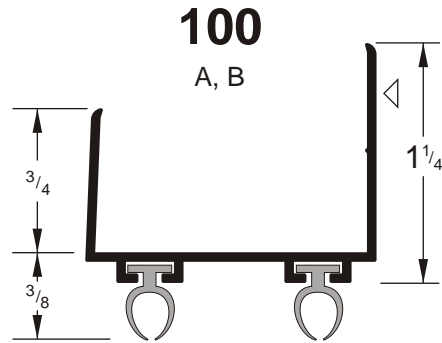
Threshold and Door Bottoms can be ordered in packaged sets.

Closure strips with a reach up to 1-1/4" (page 8).

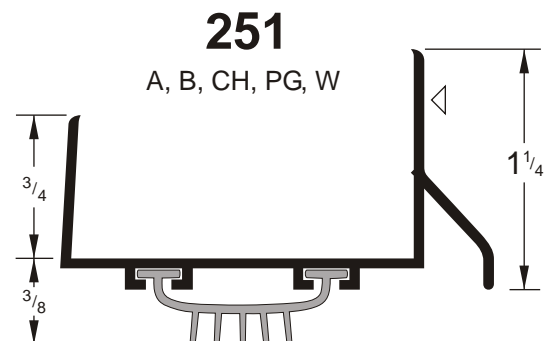
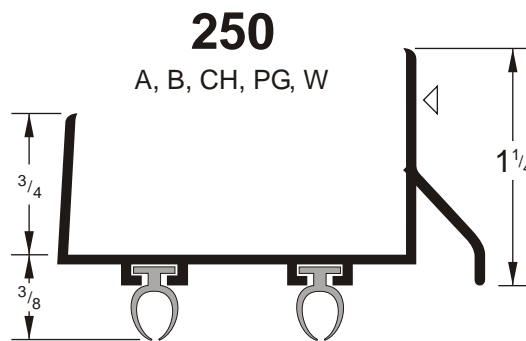
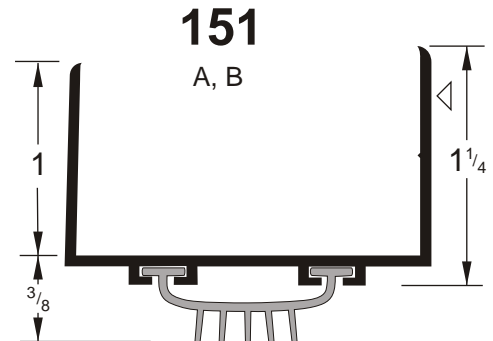
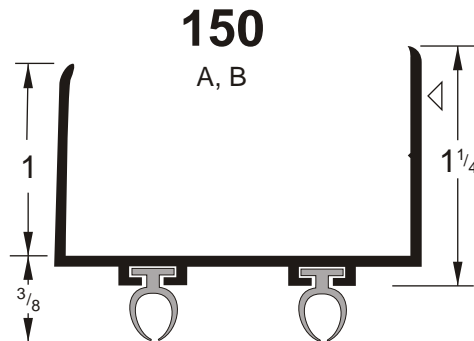
Automatic Door Bottoms are available in both Surface Mount and Mortise types.

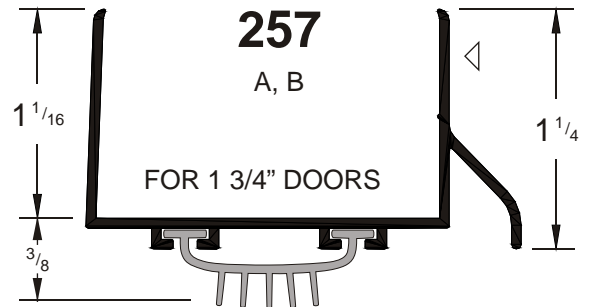
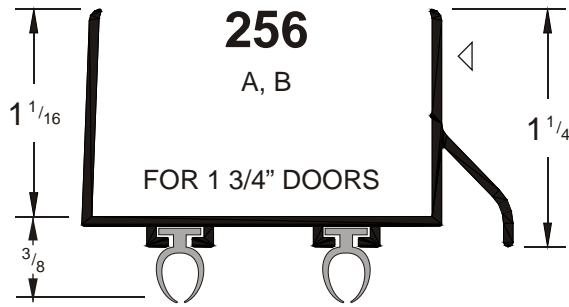
Part #255 is designed for **hollow metal doors** (page 7).

FOR 1-3/8" DOORS

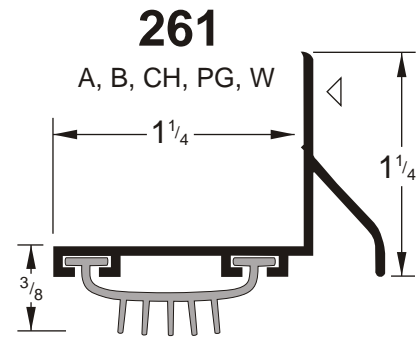
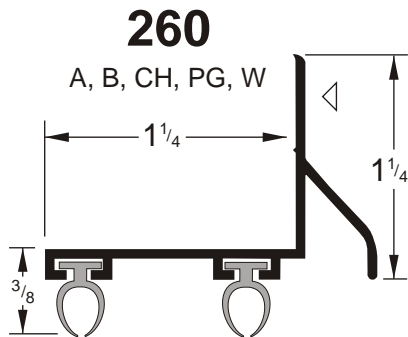


For 1-3/4" Doors

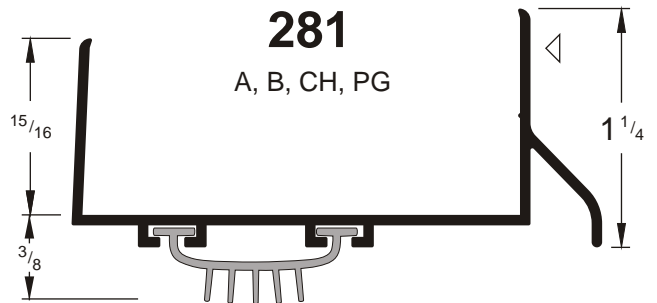
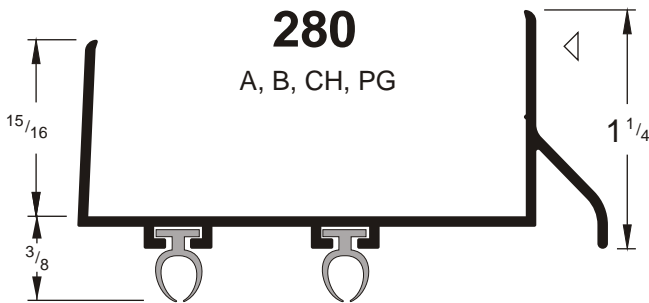




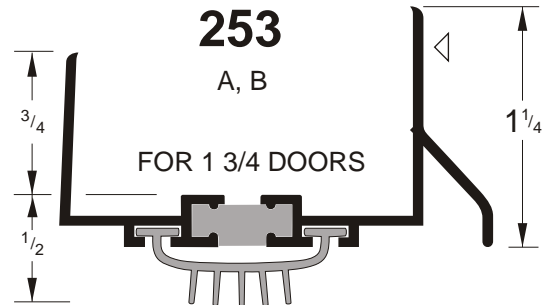
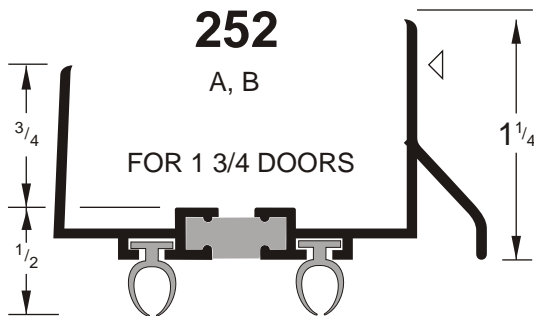
UNIVERSAL DOOR BOTTOMS



FOR 2-1/4\"/>

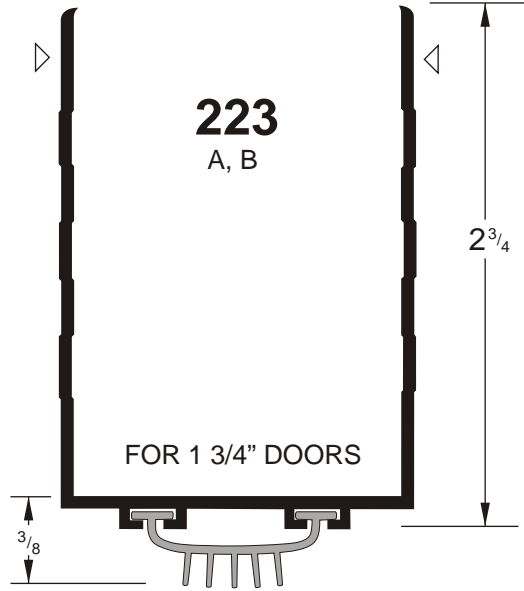
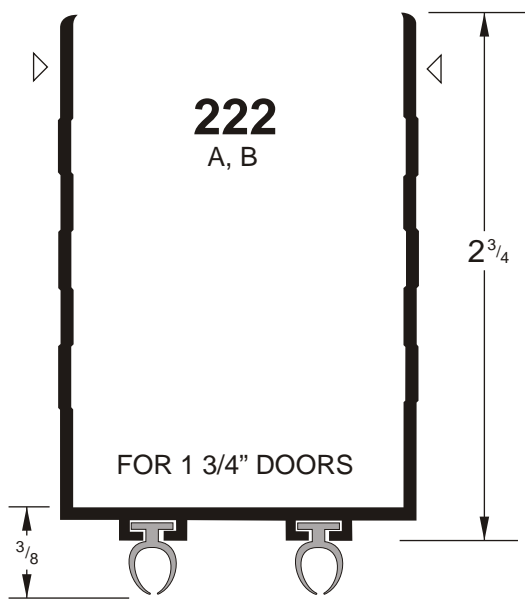
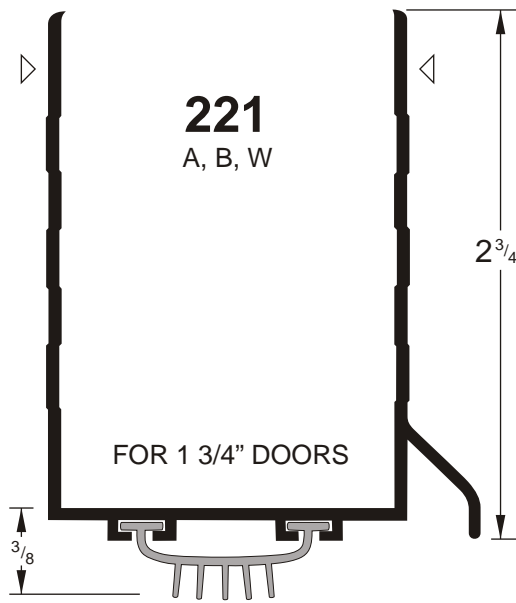
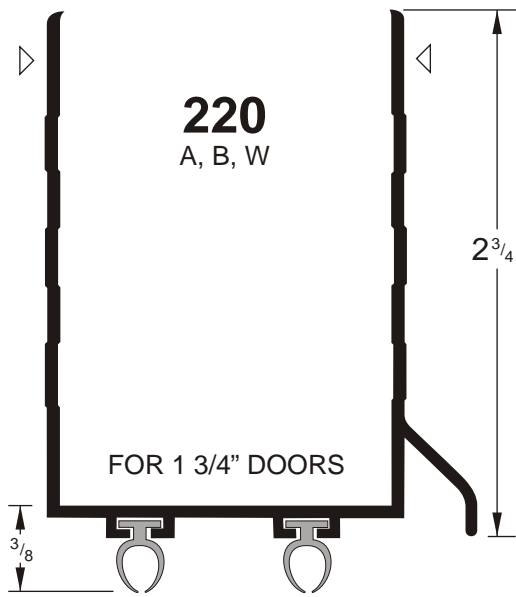


THERMAL BREAK DOOR BOTTOMS

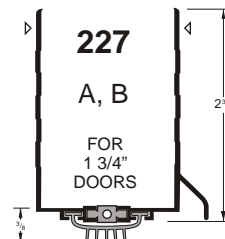
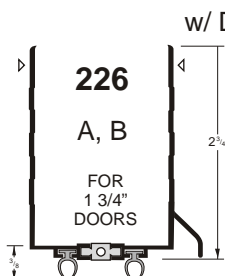
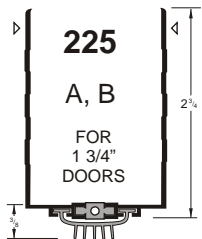
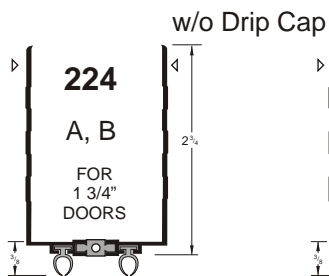


▽ Indicates location of standard fastener hole.

COMBINATION KICK PLATE AND DOOR BOTTOM



THERMAL BREAK DOOR BOTTOMS



Features:
Combination Door Bottom & Kick Plate with a drip cap.

Thermal Break is rigid PVC.

Slotted holes on both sides.

THESE DRAWINGS NOT TO SCALE

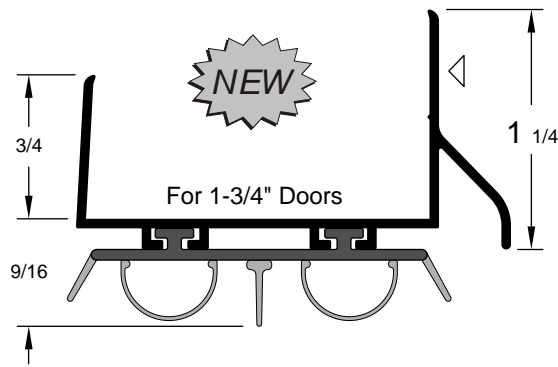
▽ Indicates location of standard fastener hole.

PRODUCTS ARE SHOWN ACTUAL SIZE
(EXCEPT AS NOTED)

COMBO ALUMINUM PRODUCTS, EL CAJON, CA
Tel (619) 447-9200 (800) 457-7500 Fax (619) 442-4558

249

A, B, CH, PG, W



Aluminum Door Bottom with dual-durometer PVC Seal

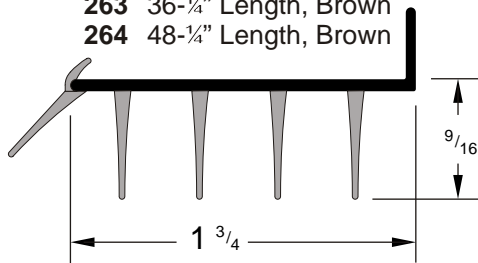
PVC Seal will fit:
Aluminum Door Bottom with dual-durometer PVC Seal

PVC DOOR BOTTOM (Dual Durometer)

For 1-3/4" door - attaches with staples, nails, or screws. (Not furnished)

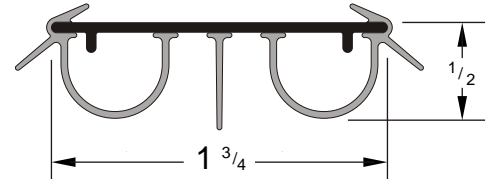
263

263 36-1/4" Length, Brown
264 48-1/4" Length, Brown



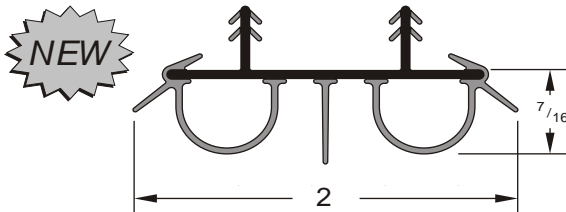
265

265 32" Length, Brown
266 36" Length, Brown



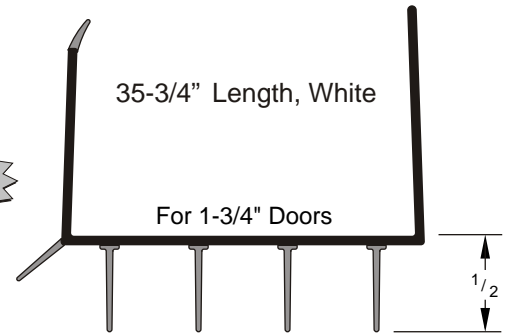
267

267 31-3/4" Length, Brown
268 35-3/4" Length, Brown



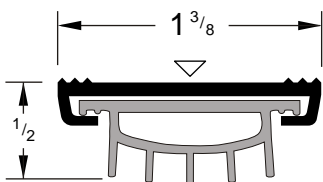
273

35-3/4" Length, White

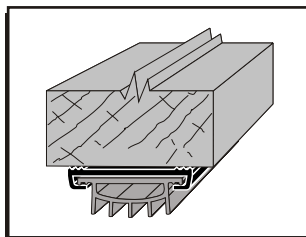
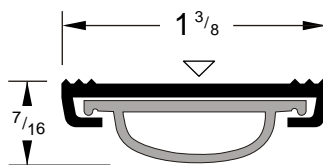


CONCEALED DOOR BOTTOMS

205 A, B (Cut Exact)

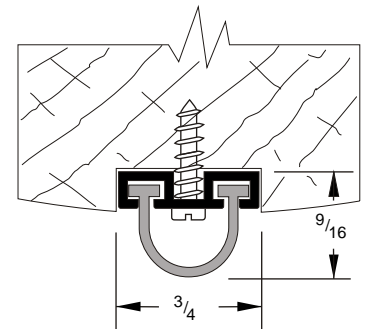


206 A, B (Cut Exact)



213 A, B (Cut Exact)

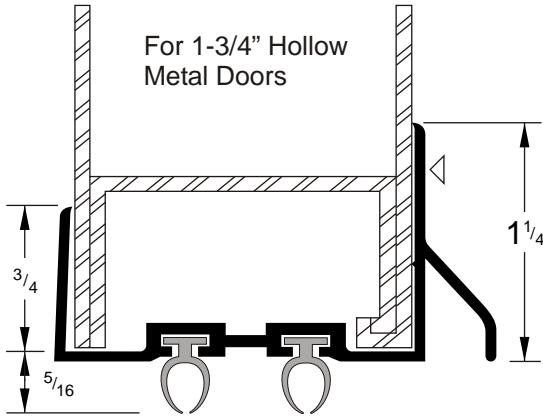
Mortise installation shown.
Seal is TPR Rubber.



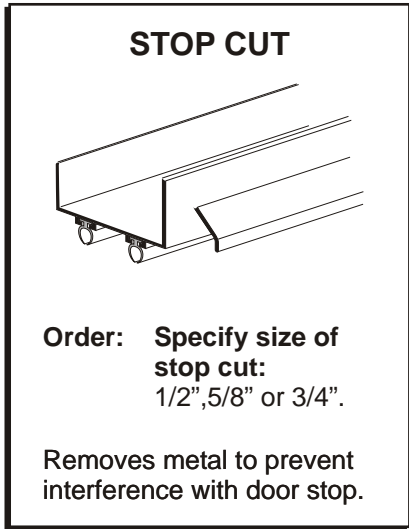
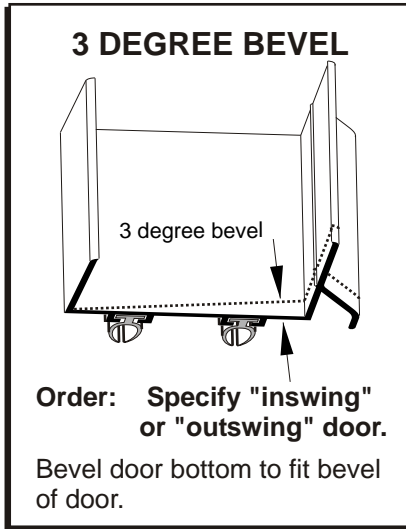
▽ Indicates location of standard fastener hole.

DOOR BOTTOM FAB OPTIONS

255 A, B

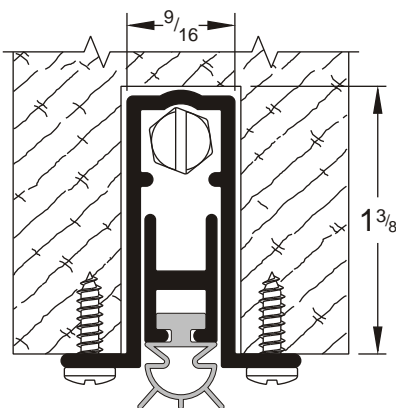


Self-drilling sheet metal screws are provided.



THESE DRAWINGS NOT TO SCALE

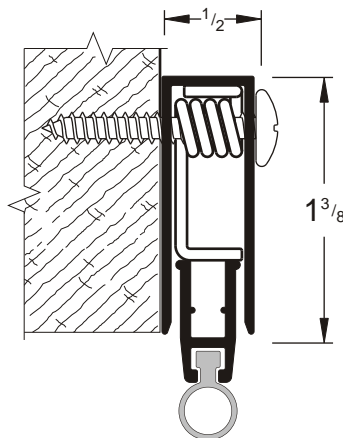
AUTOMATIC DOOR BOTTOMS



Mortise type automatic door bottom, vinyl seal, 3/4" max. drop.

- 240 24"
- 241 28"
- 242 30"
- 243 32"
- 244 36"
- 245 42"
- 246 48"

Finish:
A Aluminum Mill Finish



Surface mount automatic door bottom, pliable seal, 1/2" max. drop.

- 231 24" - 28"
- 232 30" - 32"
- 233 34" - 36"
- 234 40" - 42"

Finish:
B Bronze Anodize
S Satin Anodize

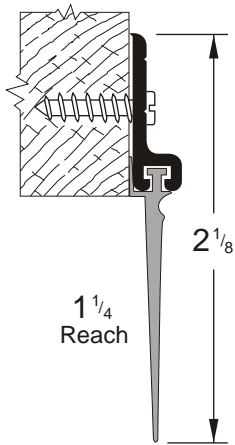
▽ Indicates location of standard fastener hole.

CLOSURE STRIPS

Closure Strips are cut 1/4" over. Slotted holes for close adjustment. SMS 6 x 5/8" phillips-panhead screws are provided.

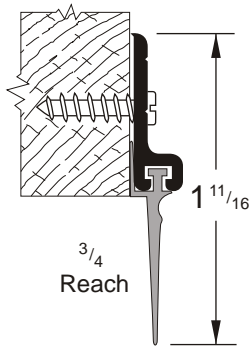
208

A, B, W



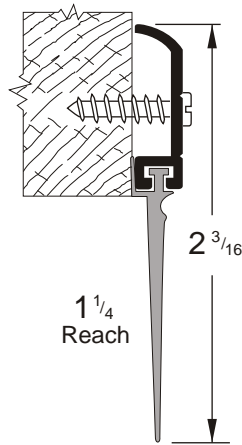
209

A, B, W



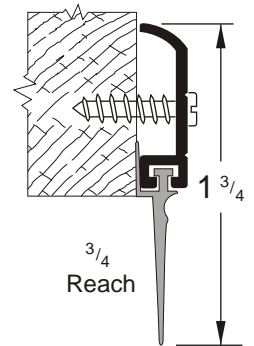
210

A, B, CH, PG, W

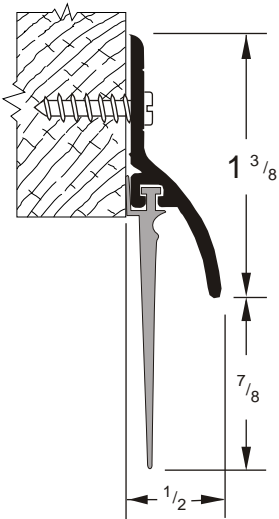


211

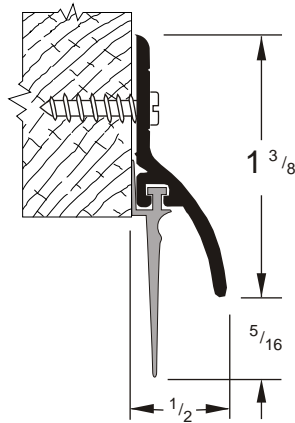
A, B, CH, PG, W



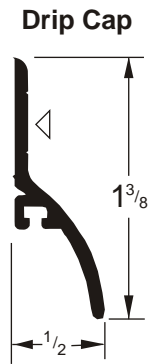
214 A, B



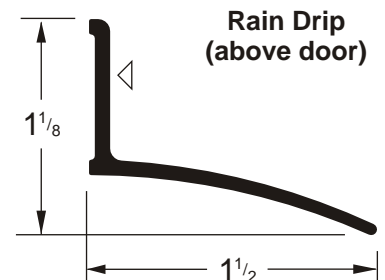
215 A, B



217 A, B



219 B, S, W



▽ Indicates location of standard fastener hole.